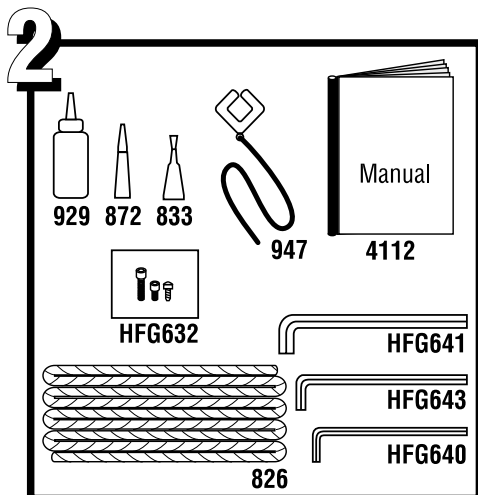


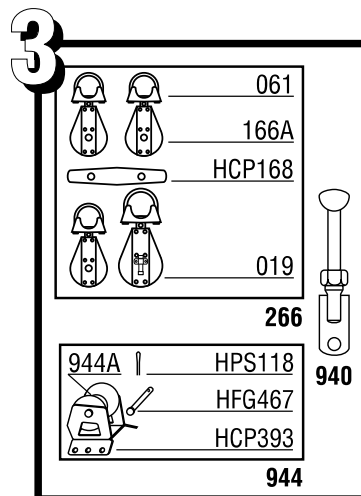
1 - Upper Assembly & Components

- 816 Extrusion - 2' Luff
- 850 Halyard Swivel
 - 4456 Label - 3/8" x 2 1/8"
 - 831 Shackle - 1/4" Bow
 - 877 Shackle - 1/4" Twist
 - HFG168 Snap Ring - Large
 - HFG244 Snap Ring - Small
 - HSB17 Ball Bearing - 1/4" Torlon (order 96)
- 851 Torque Tube
 - 4753 Label - Small Red Oval
 - HFG721 Set Torque Tube Clamp Screws (2)
 - HFS330 Fastener - M6x1.0x30 316 Sk Cap
- 906 Extrusion - 7' Luff
- 908 Connector - 7.625" Bottom
- 909 Connector - 6"
- 910 Trim Cap
- 913 Feeder
 - HFG214 Fastener - 10-32 x 3/8" 18-8 Slit Ov
- 925 Locking Collar - w/Insert
 - 925 Collar Collar
 - HFG213 Plastic Insert
- 933 Connector Screw Set (14)
 - HFS179 Fastener - 3/32" x .156" Slit Fl #6
- 946 Wedge Set (7 long, 2 short)
 - HFG216 Connector Wedge
 - HFG217 Short Connector Wedge
- HFG223 Extrusion Set (5 long, 1 short)
 - 816 Extrusion - 2' Luff
 - 906 Extrusion - 7' Luff
- HFG631 Fastener Set (3)
 - HFS331 Fastener - M5 x 8 x 8mm A4 Sk Cap



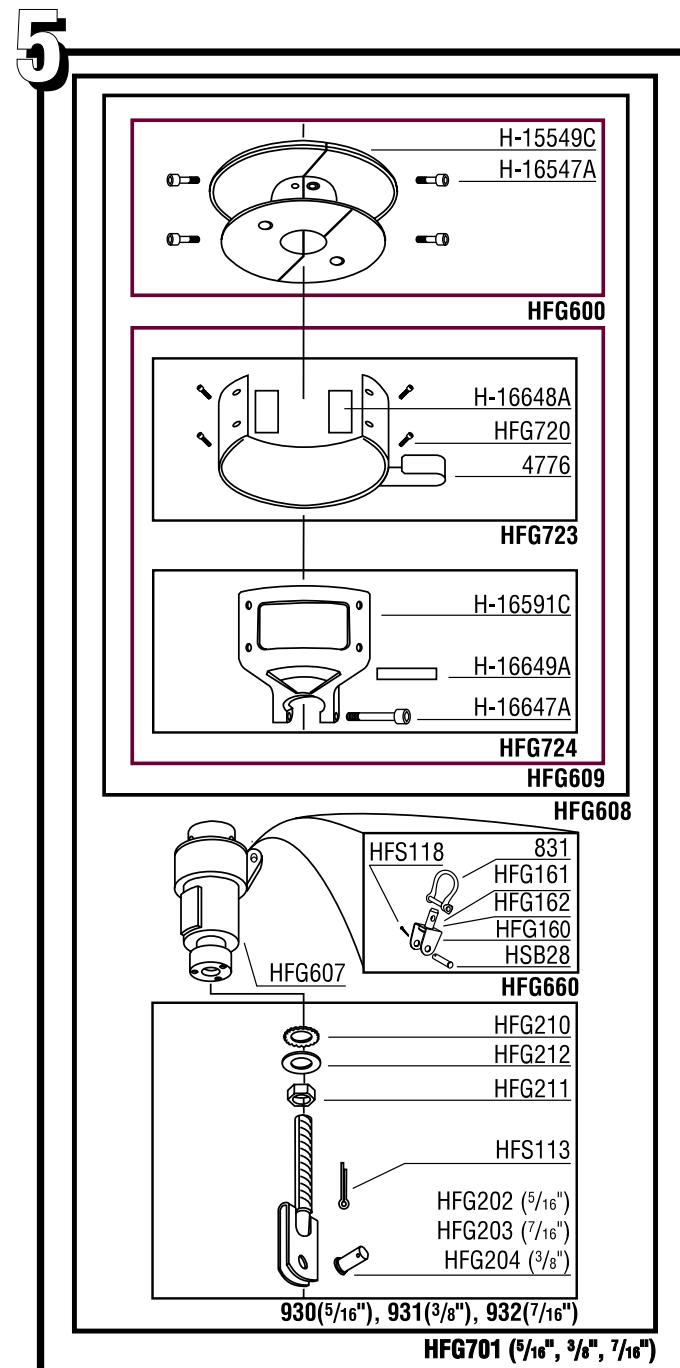
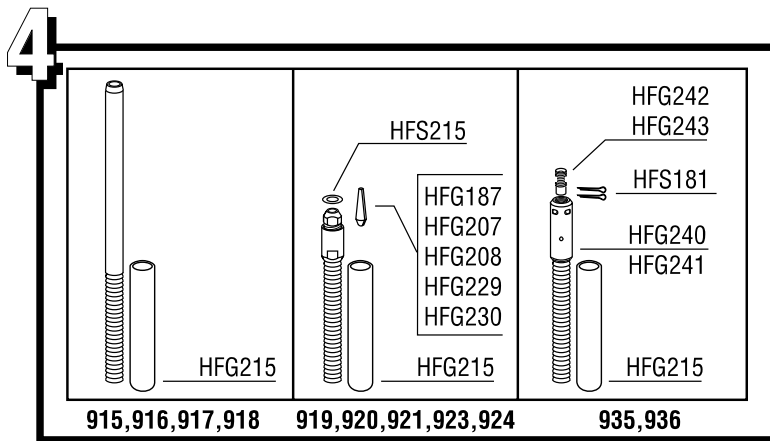
2 - Accessories

- 4112 Manual - Furling
- 826 Line - 1/4" x 55'
 - HCP237 Hog Ring - 1/4"
- 833 Loctite - Blue
- 872 Super Glue
- 929 Loctite - 0 Red
- 947 Prefeeder - Phenolic w/Line
- HFG632 Fastener Set - Spare
- HFG641 Wrench - M4 Allen Long
- HFG642 Wrench - M5 Allen Short



3 - Optional Parts

- 266 Kit - Small Lead Block
 - 019A Block - 2.25" Hex Stbd
 - 061 Stanchion Mount Base
 - 166A Block - Bullet Swivel
 - HCP168 Cleat - 4" Black
- 940 Isomat Adapter - Specify Clevis Size
- 944 Halyard Restrainer - Small
 - 944A Sheave & SS Inner Race Only
 - HCP393 Bracket - Small Halyard Restrainer
 - HFG467 Clevis Pin - 1/4" x 1.0625" 18-8
 - HFS118 Cotter Pin - 1/16" x .500" 18-8



4 - Studs & Components

Swage Studs

- HFG215 Stud-Cap - 7/16" ID x 3" Red
- 915 Stud - 5/32" (4 mm) Swage
- 916 Stud - 3/16" (5 mm) Swage
- 917 Stud - 7/32" (7 mm) Swage
- 918 Stud - 6 mm Swage (type 316 only)

Sta-Lok Studs

- HFG215 Stud-Cap - 7/16" ID x 3" Red
- 919 Stud - 5/32" Sta-Lok
- HFG207 Wedge - 5/32" (4 mm) Sta-Lok
- HFS215 Washer - 3/8" .068 x .813 x .406 18-8
- 920 Stud - 3/16" Sta-Lok
- HFG229 Wedge - 3/16" Sta-Lok
- HFS215 Washer - 3/8" .068 x .813 x .406 18-8
- 921 Stud 7/32" Sta-Lok
- HFG230 Wedge - 7/32" Sta-Lok
- HFS215 Washer - 3/8" .068 x .813 x .406 18-8
- 923 Stud - 5 mm Sta-Lok Unit 0
- HFG208 Wedge - 5mm Sta-Lok
- HFS215 Washer - 3/8" .068 x .813 x .406 18-8
- 924 Stud - 6 mm Sta-Lok
- HFG187 Wedge - 6 mm Sta-Lok
- HFS215 Washer - 3/8" .068 x .813 x .406 18-8

Rod

- HFG215 Stud-Cap - 7/16" ID x 3" Red
- 935 Stud -4 Rod Adpt w/Nosepiece
- HFG240 Stud - Main Body
- HFG242 Nosepiece -4
- HFS181 Cotter Pin - 3/32" x 1" 18-8
- 936 Stud -6 Rod Adpt w/Nosepiece
- HFG241 Stud - Main Body
- HFG243 Nosepiece -6
- HFS181 Cotter Pin - 3/32" x 1" 18-8

5 - Drum Assembly & Components

- HFG701 5/16" Drum Assembly 5/16" Clevis - Complete
- HFG701 3/8" Drum Assembly 3/8" Clevis - Complete
- HFG701 7/16" Drum Assembly 7/16" Clevis - Complete
- HFG608 Cowling - w/Guard & Spool
- HFG600 Spool Assembly - Complete
- H-15549C Spool Assembly Half
- H-16547A Fastener - M6 x 1.00-6G 316 (order 4)
- HFG609 Cowling - w/Guard
- HFG723 Cowling - w/Shims & Fst
- 4776 Label - Cowling
- HFG720 Fastener Set - Guard
- H-16648A Mylar Cowling Shim (order 2)
- HFG724 Guard - w/Shims & Fastener
- H-16591C Line Guard
- H-16647A Fastener - M6 x 1.00 GC Screw
- H-16649A Mylar Guard Clamp Shim
- 930, 931, 932 Lower Toggle
- HFG202 Clevis Pin 5/16" - Lower Toggle
- HFG203 Clevis Pin 7/16" - Lower Toggle
- HFG204 Clevis Pin 3/8" - Lower Toggle
- HFG210 Lockwasher - Toggle
- HFG211 Lock Nut
- HFG212 Flat Washer - Lower Toggle
- HFS113 Cotter Pin
- HFG607 Hub - w/o Lower Toggle
- HFG660 Tack Shackle Assembly
- 831 Shackle - 1/4" Bow
- HFG160 Swivel Bracket
- HFG161 Swivel Pin - 13/32"
- HFG162 Plastic Washer
- HFS118 Pin - 1/16" x .500 18-8 Cotter
- HSB28 Clevis Pin - 1/4" x .875"