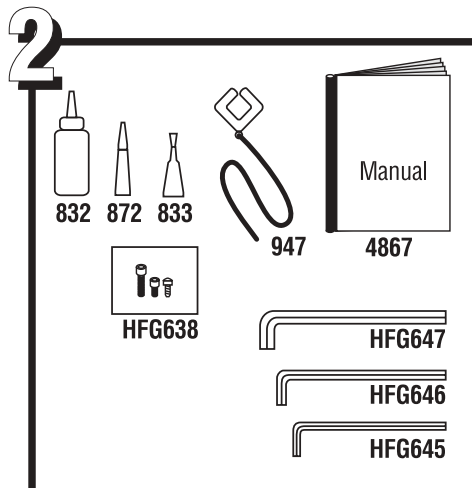


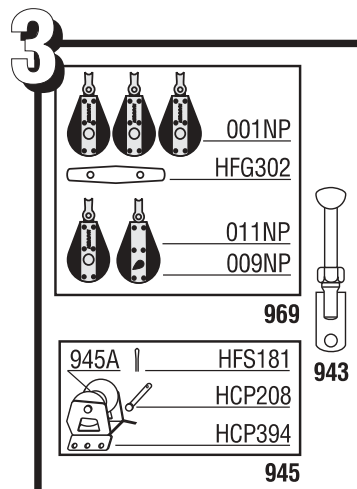
1 - Upper Assembly & Components

- 980 Connector Screw Set (69)
- HFG301 Fastener - 10-32 x .250 18-8 Slit Fi
- 981 Wedge Set (26)
- HFG216 Connector Wedge
- 971 Locking Collar - w/Insert
- 971Collar Collar
- HFG315 Plastic Insert
- 963 Trim Cap
- 958 Extrusion - 7' Luff
- 972 Extrusion - 2' Luff
- 960 Connector - 10"
- 961 Connector - 13" Bottom
- 1037 Halyard Swivel
- HCP1513 Shackle - 10 mm Bow
- HCP1515 Shackle - 10 mm Twist
- HCP726 Snap Ring - Large (order 2)
- HCP725 Snap Ring - Small
- HBB7 Ball Bearing - 3/8" Torlon (order 81)
- HBB21 Ball Bearing - 1/2" Torlon (order 23)
- 1038 Torque Tube
- 4753 Label - Small Red Oval
- HFS337 Fastener - M10x1.50x40 316 Sk Cap (order 2)
- 962 Feeder
- HFS192 Fastener - 10-32 x 3/8" 18-8 Slit Ov (order 2)
- HFG135 Extrusion Set (10 Long, 1 Short)
- 958 Extrusion - 7' Luff
- 972 Extrusion - 2' Luff
- HFG637 Fastener Set - Torque Tube (4)
- HFS336 Fastener - M8x1.25x16 A4 Sk Cap



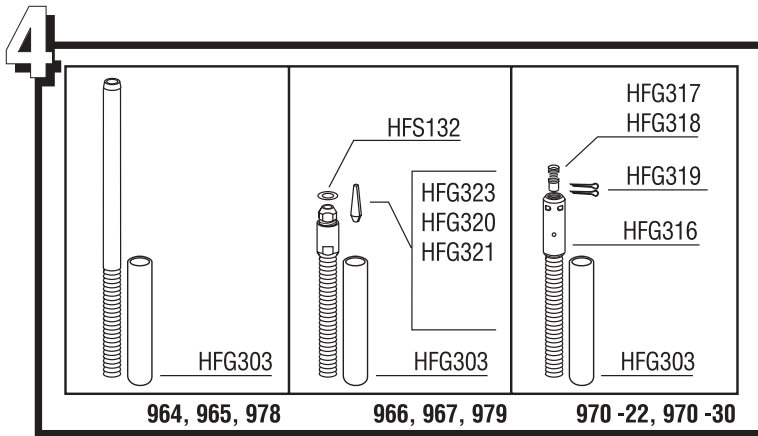
2 - Accessories

- 4867 Manual - Furling
- 833 Loctite - Blue
- 832 Loctite - Red
- 872 Super Glue
- 947 Prefeeder - Phenolic w/Line
- HFG638 Fastener Set - Spare
- HFG645 Wrench - M6 Allen Long
- HFG646 Wrench - M8 Allen Short
- HFG647 Wrench - M10 Allen Short



3 - Optional Parts

- 969 Kit - Lead Block
- 009NP Block - 3.00" Hex Stbd
- 011NP Block - 3" Cruising
- 001NP Block - 2.25" Swivel (3)
- HFG302 Cleat - 5" Black
- 943 Isomat Adapter
- 945 Halyard Restrainer - Large
- 945A Sheave & SS Inner Race Only
- HCP208 Clevis Pin - 5/16" x 1.250" 18-8
- HCP394 Bracket - Large Halyard Restrainer
- HFS181 Cotter Pin - 3/32" x .750" 18-8



4 - Studs & Components

Swage Studs

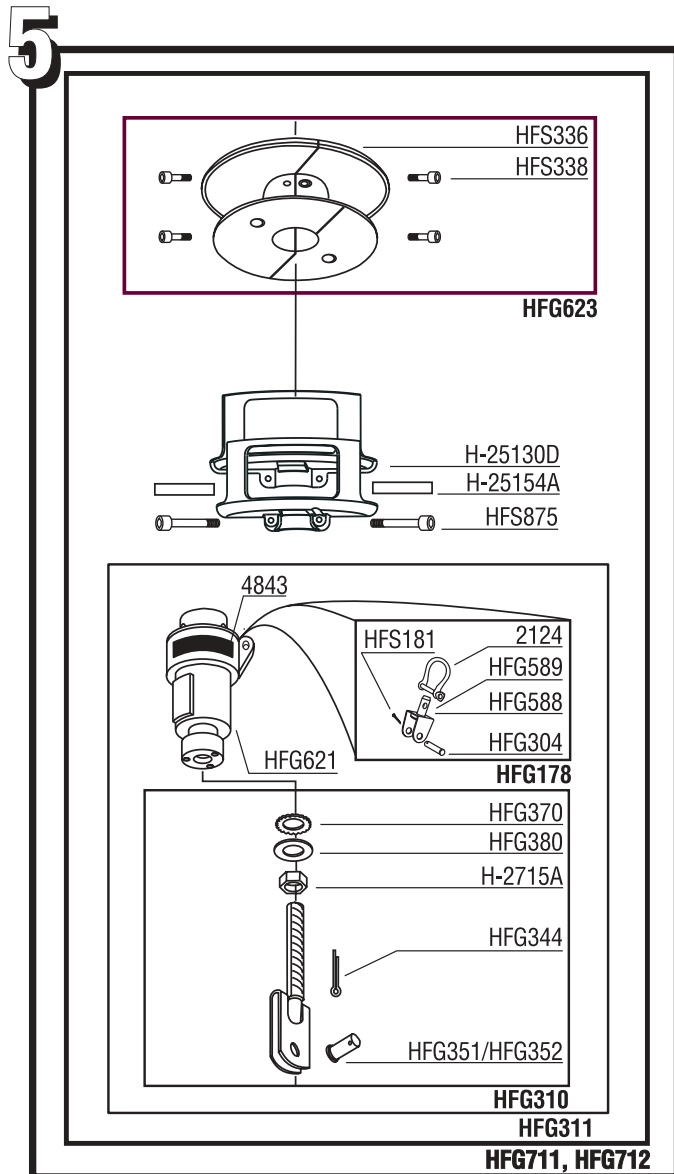
- HFG303 Stud-Cap - 7/8" ID x 5.5" Red
- 964 Stud - 7/16" (11 mm) Swage
- 965 Stud - 1/2" Swage
- 978 Stud - 12 mm Swage

Sta-Lok Studs

- HFG303 Stud-Cap - 7/8" ID x 5.5" Red
- 966 Stud - 7/16" (11 mm) Sta-Lok
- HFG323 Wedge - 7/16" (11 mm) Sta-Lok
- HFS132 Washer - 1/2" .062 x .531 x 1.250 18-8 FW
- 967 Stud - 1/2" Sta-Lok
- HFG320 Wedge - 1/2" Sta-Lok
- HFS132 Washer - 1/2" .062 x .531 x 1.250 18-8 FW
- 979 Stud 12 mm Sta-Lok
- HFG321 Wedge - 12 mm Sta-Lok
- HFS132 Washer - 1/2" .062 x .531 x 1.250 18-8 FW

Rod

- HFG303 Stud-Cap - 7/8" ID x 5.5" Red
- 970-22 Stud -22 Rod Adpt w/Nosepiece
- HFG316 Stud - Main Body
- HFG317 Nosepiece -22
- HFG319 Cotter Pin - 3/32" x 1.750" 18-8
- 970-30 Stud -30 Rod Adpt w/Nosepiece
- HFG316 Stud - Main Body
- HFG318 Nosepiece -30
- HFG319 Cotter Pin - 3/32" x 1.750" 18-8



5 - Drum Assembly & Components

- HFG711 Drum Assembly 3/4" Clevis - Complete
- HFG712 Drum Assembly 7/8" Clevis - Complete
- HFG622 Cowling - Guard & Spool
- HFG623 Spool Assembly - Complete
- HFS336 M8 x 1.25X16 A4 SK Cap (4)
- HFS338 M4 X 8 18-8 PH OV (2)
- HFG624 Cowling - w/Guard
- H-18100C Cowling
- 4779 Label - Cowling
- HFS332 Fastener - M4 X .7 X 8mm 18-8PH (4)
- H-17573A Mylar Cowling Shim (order 2)
- H-17565D Line Guard
- H-17572A Fastener - M12 x 1.75-6G GC Screw
- H-17574A Mylar Guard Clamp Shim
- HFG310 Lower Toggle - 3/4" Clevis Pin
- HFG311 Lower Toggle - 7/8" Clevis Pin
- HFG351 Clevis Pin - 3/4" Lower Toggle
- HFG352 Clevis Pin - 7/8" Lower Toggle
- HFG344 Cotter Pin
- H-2715A Lock Nut
- HFG370 Lock Washer - Toggle
- HFG380 Flat Washer - Lower Toggle
- HFG621 Hub - w/o Lower Toggle
- HFG589 Tack Shackle Assembly
- HCP1513 Shackle - 10 mm Bow
- HFG588 Swivel Bracket w/Swivel Pin
- HFG589 Swivel Assembly
- HFG304 Clevis Pin - 3/8" X 1.500" 18-8
- HFS181 Cotter Pin - .094 x .750 18-8